

# NETCOM case study

## Shaw Primary School

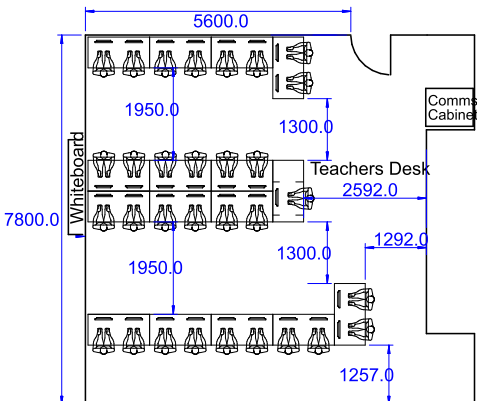
### The Requirement:

To completely re-develop the schools only ICT suite to increase capacity and create a much better teaching environment for all the students.

Shaw Primary School contacted Netcom through our website. This project was located in South Ockendon, Essex.

### The Solution:

Netcom created a completely new room plan with the help of the schools network manager. The new room plan included a completely new data and power containment system to provide provisions to each PC workstation. Netcom completed a complete new re-wire to create the new floor plan along with an air conditioning system.



### The solution included the following:

- 15x Double secure Students Desks
- 1x Teachers Desk
- 31x Secure PC enclosures
- 31x Secure Monitor arms
- 35x Cat5e data outlets
- 32x Twin electrical sockets
- 3 compartment trunking system to house new cabling
- Air conditioning system
- Full projector solution including connection to local computer

For more information on how NETCOM92 can help and develop a unique ICT solution for your school or college, call our ICT customer service team on 01279 441505.

[www.netcomict.co.uk](http://www.netcomict.co.uk) or email us on [sales@netcomict.co.uk](mailto:sales@netcomict.co.uk)