

# NETCOM case study

## Woodside Primary School

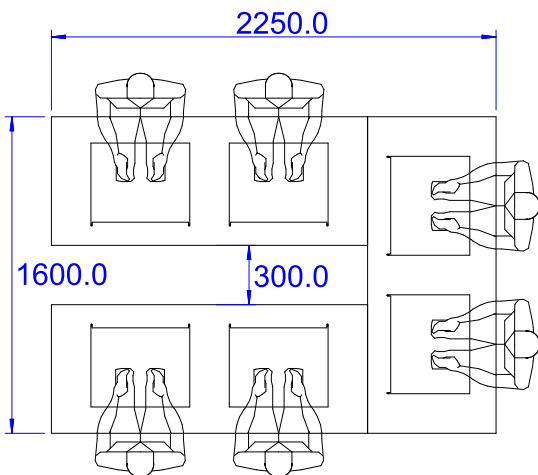
### The Requirement:

To provide students with PC use in 13 x classrooms situated around the school. The PC's need to be used only a certain times during the day so the desks need to have a multi purpose function.

Woodside Primary School contacted Netcom through our website. This project was located in Walthamstow, London.

### The Solution:

Netcom provided the school with our versatile desk product to cope with the multi functional use required. The arrangement of desks provided meant that each room would have 6x PC's available to the students at any time during the day. Netcom provided Woodside with all the new data and power connections required along with brand new Dell PC's for each location.



### The solution included the following:

- 39x Double flip screen versatile desks
- 78x Dell Optiplex PC's
- 130x Cat5e data outlets
- 39x Twin electrical sockets

For more information on how NETCOM92 can help and develop a unique ICT solution for your school or college, call our ICT customer service team on 01279 441505.

[www.netcomict.co.uk](http://www.netcomict.co.uk) or email us on [sales@netcomict.co.uk](mailto:sales@netcomict.co.uk)